

---

# SAFE TEMP

---

HOT WATER CONTROL SYSTEM



ADVANCED  
WATER  
SYSTEMS  
**LEAP**

Welcome to LEAP, a new name dedicated to providing the most advanced water systems in Australasia.

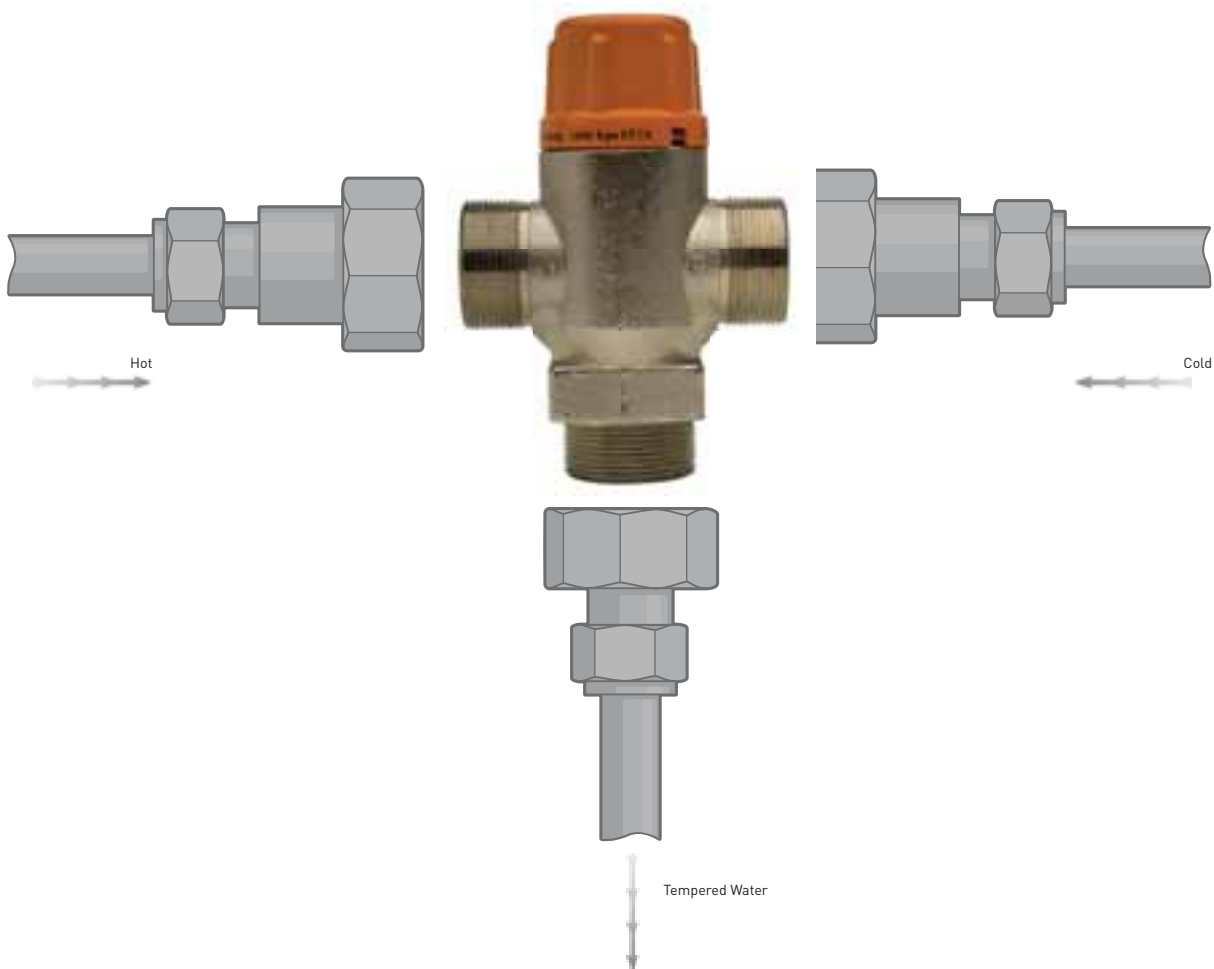
LEAP aims to improve customers' lives with innovative, sustainable, environmentally responsible water systems that deliver superior performance, without costing the earth.

We take responsibility for the environment by sourcing and developing products that are more energy and water efficient – putting less strain on natural resources.

We are proud of our ability to actively design, develop and engineer new water systems to tackle and solve old problems in new ways – we call it 'challenging the status flow'.

# SAFETEMP:

## PREVENTS DANGEROUS HOT WATER REACHING TAPS AND SHOWERS



**SAFETEMP is the reliable and convenient way to ensure water temperatures at your ablutionary fixtures, bath, shower and basin are safe. At the heart of this system is the SAFETEMP tempering valve. It monitors and manages the blend of hot and cold water via a special replaceable cartridge. A failsafe mechanism shuts off supply if there's no cold water, preventing scalding. SAFETEMP's unique design and construction means it's guaranteed for 5 years – currently the only safety valve guaranteed for so long.**

Hot water needs to be at least 60°C in the cylinder to prevent dangerous legionella bacteria growing.

But it shouldn't be that hot at the tap.

That's because water at 60°C can cause third degree burns in less than a second. A few degrees makes all the difference. At 50°C for instance, hot water takes a full five minutes to burn. Most people can't react fast enough to protect themselves – especially young children and the elderly who are particularly at risk because their skin tends to be thinner and softer.

That's why hot water systems must have a temperature control device on the pipes leading to ablutionary areas.

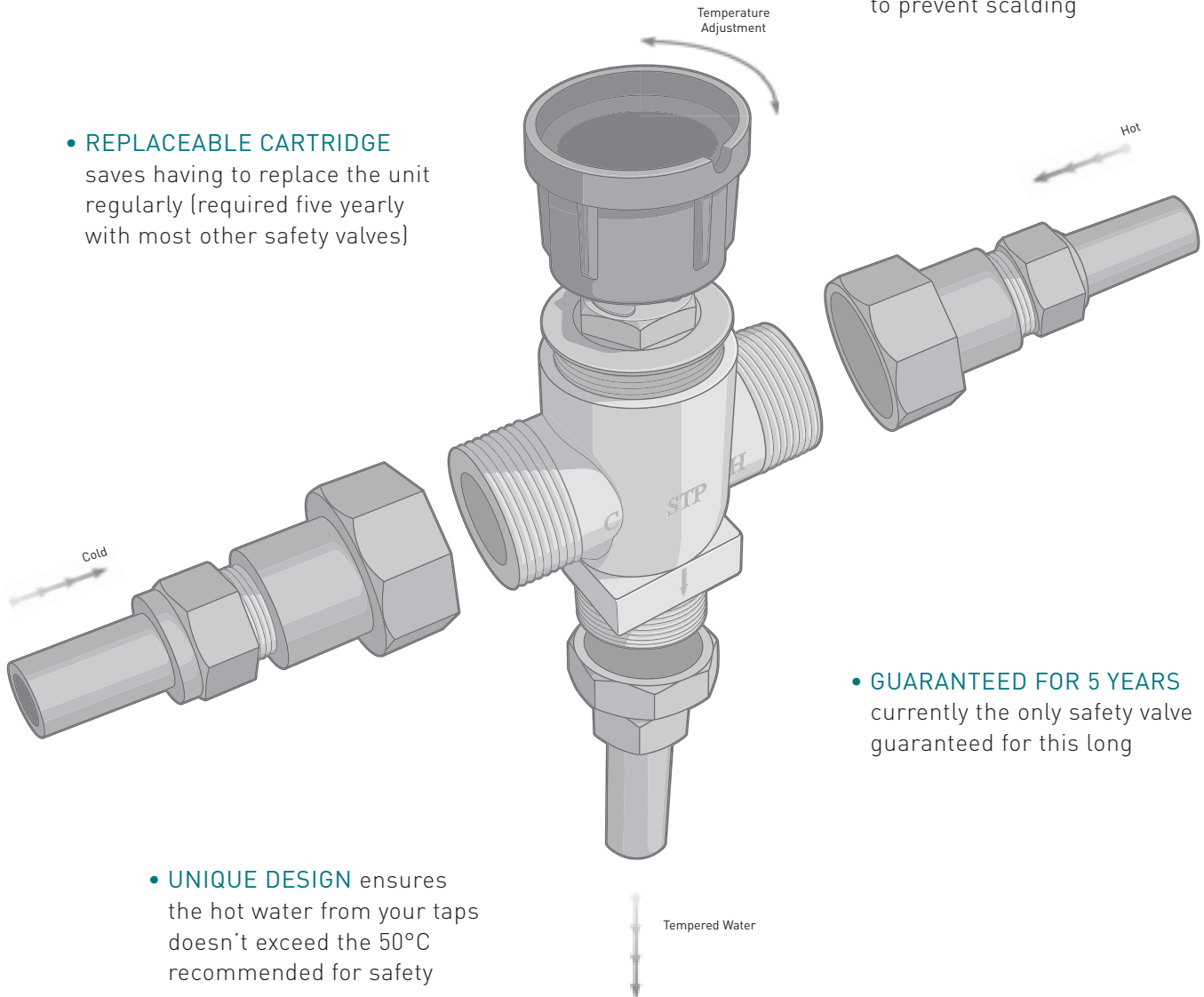
SAFETEMP is one of the most reliable and convenient ways to keep your family and guests safe from dangerously hot water.

Its unique design keeps tap temperatures at a safe level, using a special cartridge that detects incoming water temperatures and adjusts the blend. This cartridge is replaceable, saving you having to replace the whole valve at regular intervals, as you do with other types of valve.

# SAFETEMP AT A GLANCE

- **REPLACEABLE CARTRIDGE** saves having to replace the unit regularly (required five yearly with most other safety valves)

- **SAFEGUARD FEATURE** shuts off all water to the tap if cold water stops running for some reason, to prevent scalding



- **GUARANTEED FOR 5 YEARS** currently the only safety valve guaranteed for this long

- **UNIQUE DESIGN** ensures the hot water from your taps doesn't exceed the 50°C recommended for safety

# WHY SAFETEMP IS BETTER

## ADVANCED

The unique design ensures hot water delivered to your taps won't exceed 50°C, reducing the potential for burns.

## ACCURATE

The SAFETEMP tempering valve accurately detects the incoming hot and cold temperatures and adjusts the blend.

## FAILSAFE FEATURE

If for some reason cold water supply doesn't reach the SAFETEMP tempering valve, it automatically shuts off the hot water to prevent scalding.

## SERVICEABLE

SAFETEMP tempering valve has a replaceable cartridge your plumber can remove and replace easily and economically. Other safety valves have to be discarded and replaced after they reach the end of their working life, which is usually around five years.

## GUARANTEED

Because of its unique design and construction, SAFETEMP tempering valve is guaranteed against material or manufacturing defects for 5 years. Currently it's the only safety valve guaranteed for so long.

## QUALITY-APPROVED

The SAFETEMP tempering valve is designed, manufactured and approved for performance and reliability to AS4032.1 and AS4020. It carries the WaterMark Licence WMKA21004 and is approved for use in all states and territories of Australia and in New Zealand.

# TECHNICAL DETAILS

## DIMENSIONS (FIG. 1)

Model	A	B	C	D	E	F
SAFETEMP 15	77	49	41	36	51	110
SAFETEMP 20	77	49	41	36	51	110

## INSTALLATION

SAFETEMP should only be installed by a registered plumber and in accordance with the National Plumbing and Drainage Code AS/NZS 3500. The installer must meet all the relevant statutory and local requirements and follow the installation instructions supplied or the warranties may be void.

## POSITIONING

SAFETEMP should be installed where it will be easily accessible when the cartridge needs replacing. Isolating valves are recommended for easy access and cleaning of the strainers.

SAFETEMP can be installed anywhere along the hot water line, but preferably as close as possible to the hot water unit.

## SUPPLY PRESSURES

SAFETEMP performs best when the hot and cold water supplies have equal dynamic pressures. Ideally, hot and cold water should be delivered via pressure control valves.

## TEMPERATURE ADJUSTMENT (FIG. 2)

Every valve **must** be adjusted onsite to ensure water is being delivered at the required temperature.

FIG. 1

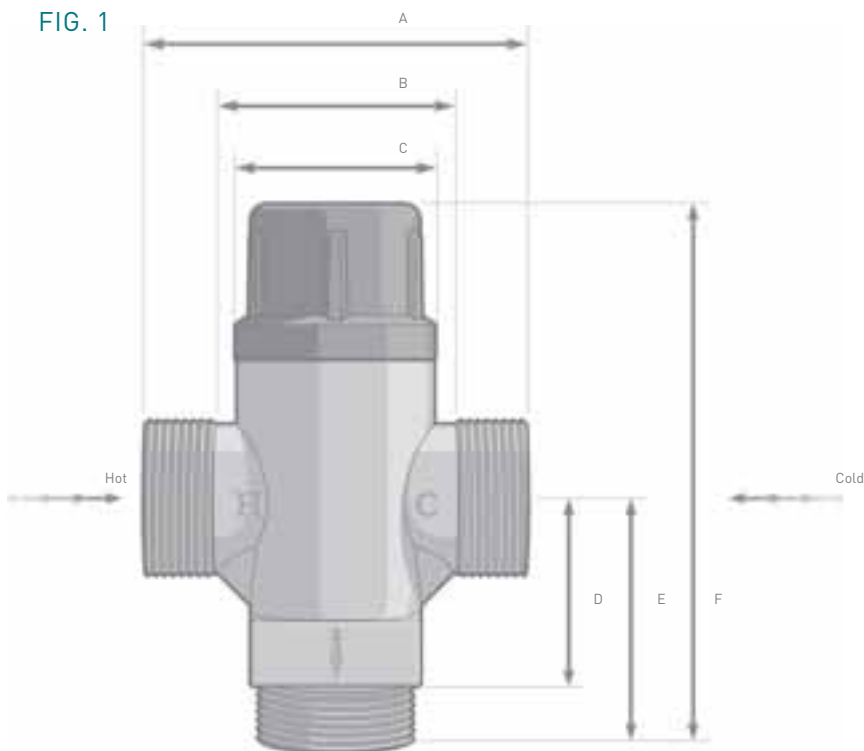


FIG. 2



**Please note: this information is only a summary. Your plumber will need to contact a LEAP supplier for a copy of the Installation Manual which has other important information.**

# OTHER LEAP SYSTEMS



## SOLAR WATER HEATING SYSTEMS

SOLARGENIUS water heating systems offer homeowners a range of ways to harness clean, free solar energy for heating water. SOLARGENIUS options include a roof-top tank with solar collectors attached, flat-plate collectors or evacuated tubes linked to your water heating tank or an innovative heat pump that harnesses solar energy to heat your water. SOLARGENIUS systems are lightweight, easy-to-install solar water heaters that can save households between 40% and 75% on hot water bills.



## HOME FIRE SPRINKLER SYSTEM

BLAZESTOP is an affordable sprinkler system linked to a domestic water supply, putting the reassurance of sprinkler protection within reach of private homeowners. Designed especially for the home environment, BLAZESTOP uses sprinkler heads concealed in the ceiling. Flexible, concealed piping makes retrofitting into homes easy and cost-effective. Made from durable polybutylene, it isn't affected by scaling, corrosion, or microbiological growth and doesn't transmit noise.



## WASTEWATER SYSTEM

FRESHFLOW combines the advanced HepvO self-sealing waterless waste valve with easy to install flexible HepFlex Waste piping. This innovative system replaces space-hungry S or U traps with a hygienic valve that provides an effective and reliable barrier against sewer gases escaping into a building. As well as its space-saving advantages, FRESHFLOW leaves no standing reservoir of water which can stagnate and lead to bacterial or fungal growth.



## PRESSURISED SHOWER SYSTEMS

POWERSHOWER pumps deliver the power for a great shower in any situation. Quality design and construction ensures quiet, trouble-free operation. There are options for everything from augmenting gravity feeds in simple holiday set-ups to providing luxurious multi-spray fittings. The POWERSHOWER QT pumps are especially designed to handle hot water at higher temperatures without spasmodic pressure losses.



## MANIFOLD PLUMBING SYSTEM

MANIFLOW saves energy and conserves water by having a dedicated pipeline from a manifold near the hot water cylinder to each tap or fixture in the house. Hot water goes straight where it's needed without sitting round cooling in the big 'feeder' pipes needed to serve multiple outlets. Less energy and water is wasted, as hot water arrives faster at the tap. Flexible and non-metallic pipes result in a quiet and efficient plumbing system that doesn't suffer corrosion, scaling or microbial build-up.



## HYDRONIC HEATING SYSTEM

TERRATHERM is a highly effective and unobtrusive way to radiate comfortable, healthy warmth through your home. TERRATHERM pipes in heat via hot water circulated through flexible underfloor pipes. The system delivers warmth that starts at ground level then slowly rises. TERRATHERM is built-in, involving no unsightly heaters, panels or vents. Its zone-by-zone controls also let you manage your home heating more efficiently, ensuring heat goes where and when it's needed.

FOR MORE INFORMATION ABOUT SAFETEMP CALL

0800 246 810

1800 666 952

Leap Australasia Ltd  
133 Gracefield Road  
PO Box 38-159  
Lower Hutt 5045  
New Zealand

t: + 64 4 568 9424  
f: + 64 4 568 9423  
[www.leapltd.co.nz](http://www.leapltd.co.nz)

Leap Australasia Pty Ltd  
35 Rooks Road  
Nunawading VIC 3131  
Australia

t: + 61 3 9874 0303  
f: + 61 3 9874 0299  
[www.leapltd.com.au](http://www.leapltd.com.au)



**LEAP**  
ADVANCED WATER SYSTEMS